

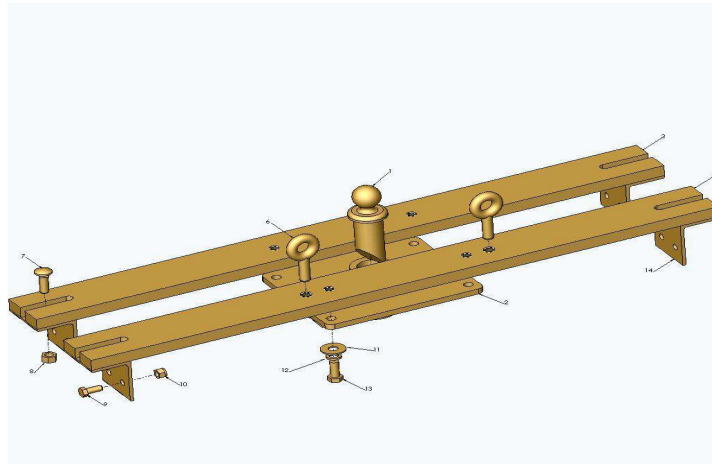
Mumby Manufacturing Ltd.

Ph: (306) 682-1477 Toll Free: 1-888-682-1477 Fax: (306) 682-2028
Email: mumbyhitches@sasktel.net Website: www.mumbyhitches.com

INSTALLATION INSTRUCTIONS

MUMBY REMOVABLE BALL GOOSENECK HITCH

Model MUM – 04747



1. Drill a 3" hole, centered between the wheel wells, and 1" - 5" ahead of the axle, making sure that you are at least 6 $\frac{1}{4}$ " from the nearest cross member (floor support) under the box. **SEE MEASUREMENT CHART BELOW.**
NOTE: FOR GMC AND CHEV SHORT BOX TRUCKS, SEE SPECIAL INSTRUCTIONS BELOW.
2. Slide the 1"x4"x47" support plates between the frame and the truck box, above the wheels. More working space can be created by jacking up the rear of the truck up slightly.
3. Bolt the ball assembly loosely to the bottom of the plates with 5/8" hex-head bolts so that the release lever is to the side of the ball socket. Block the plate height, so that the top of the ball receiver is approximately 1/8" beneath the high corrugation in the floor of the truck box. (On some trucks, washers can be used as spacers to lower the ball assembly.)
4. Remove the front top electronic module (Above rear Axle). Bolt angle brackets to the bottom of the plates, outside of the truck frame, with carriage head bolts. **NOTE: The shorter angle bracket notched on one side is used where the electronic module was removed.** Tighten the ball assembly to the plates.
5. When that the receiver is at the desired height, and centered in the hole in the floor, drill 1/2" holes in the truck frame, matching the holes in the angle brackets, and fasten with 1/2" hex head bolts.

TIP: It is easier to hold the front 1/2" nut in place inside the frame, if a wrap of electrical tape is placed around the nut and the nut inserted into a 3/4" wrench socket.

BE SURE ALL LINES & WIRES ARE OUT OF THE WAY BEFORE DRILLING.

6. Install electronic module and tighten.
7. Drill two 1/2" holes 5" and 5 3/4" from the centre of the 3" hole (off to the side) to accommodate the lever used to release the ball latch and to provide a view of the locking indicator.
8. A packet of an anti-seize compound has been included with the new hitch. Open the packet and lightly cover the shank of the ball with the contents. The locking pin has been pre-coated at the factory. For proper maintenance, the ball **MUST** be removed regularly and the shank of the ball and the locking pin cleaned and lightly coated with a light lubricant or an anti-seize compound. Periodic lubrication and cleaning of the ball shank is necessary for your removable ball hitch to keep performing properly.

AN APPROXIMATE GUIDELINE FOR BALL PLACEMENT IN VARIOUS TRUCKS

Note: Measure from the back end of the floor of the truck box forward to the center of the ball. All measures are approximates. Drill a pilot hole first, then check to make sure you are at least 6 1/4" from the nearest cross member.

FORD	YEAR	DISTANCE
Short box F150, F250, F350	1986 +	44.5"
Long box F250, F350	1986 +	47"
Long box F150	1997 +	46"

CHEV & GMC	YEAR	DISTANCE
Short box	1987 +	39"
Long box	1987 +	
Ext Cab Long Box dually	2003	46.5"

DODGE	YEAR	DISTANCE
Short box	1994 – 2002	40.5"
Long box	1994 -2002	45.5"
3/4 ton & 1 ton	2003	See installation instr.

Components in the MUM – 0474

<u>Quantity</u>	<u>Description</u>	<u>Quantity</u>	<u>Description</u>
1	– Ball Assembly (Includes Ball)	1	– Release lever
2	– 47" Plates	1	– Storage Case
1	– Bolt Kit	1	– Plastic Plug
4	– 4" mounting brackets		
1	– Safety Chain Plate		

Mumby Manufacturing Ltd.

Box 280

Muenster Sask, S0K-2Y0

Ph: (306) 682-1477 Fax: (306) 682-2028

Email: mumbyhitches@sasktel.net Website:mumbyhitches.com

**THE MUMBY REMOVABLE BALL GOOSENECK HITCH
SPECIAL INSTALLATION INSTRUCTIONS FOR
CHEV AND GMC SHORTBOX TRUCKS**

- Drill a 3" hole in the box floor directly above or in front of the axle 39" ahead of the back end of the box.
- Remove Heat Shield
- Cut out a section of the center cross member about 13" wide and 1" deep (5" on each side of the 3" hole).
- Slide the two support plates (1"x 4"x 47") along each side of the cross member.
- Use 3"x 4" angle brackets to attach plates to the truck frame.
- Replace heat shield after hitch is installed

